



The Next Generation of Shaft Sealing



CINCHSEAL ROTARY SHAFT SEALS FOR MEAT & POULTRY APPLICATION

 23b Roland Avenue, Mt. Laurel, NJ 08054

 856-662-5162 (p) | 856-662-5264 (f)

 www.cinchseal.com



The Next Generation of Shaft Sealing

CINCHSEAL OVERVIEW VIDEO

- **Leading manufacturer of rotary shaft seals:**
 - Patented, unique, problem-solving seals
 - Used with screw conveyors, mixers, blenders, and other bulk-handling equipment
 - Seals in slurries, powders and semi-liquids
- **Industries:** food processing, chocolate, bakery, pulp & paper, feed & grain, industrial, chemical, pharmaceutical, goldmine, battery, and others
- **Over 25 years in business**
 - Current Customer Base: < 4000 customers in < 50 countries
 - Located in Mount Laurel, NJ
- **Used by 2/3 of world's top food and major companies in every processing industry**
 - Standard seals for common equipment types
 - Custom seals designed for specific customers, equipment types, materials and applications





The Next Generation of Shaft Sealing

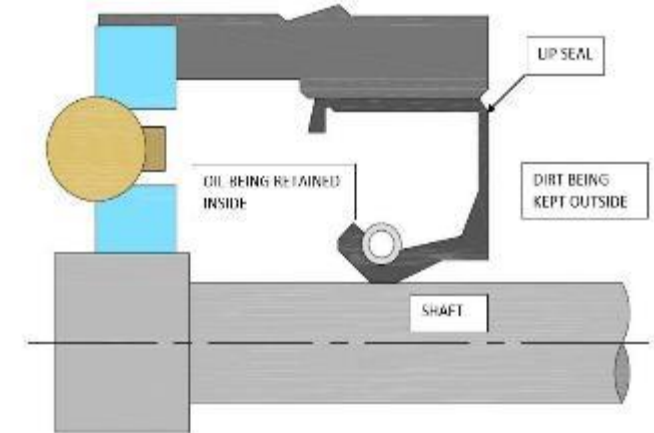
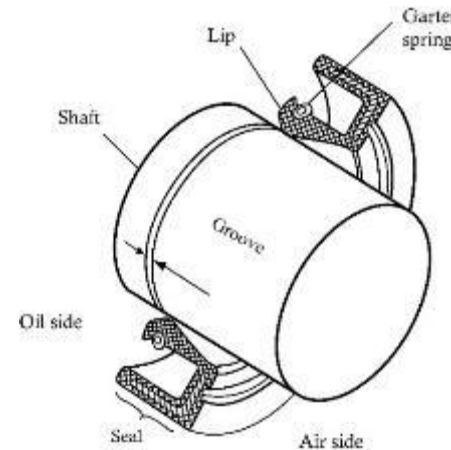
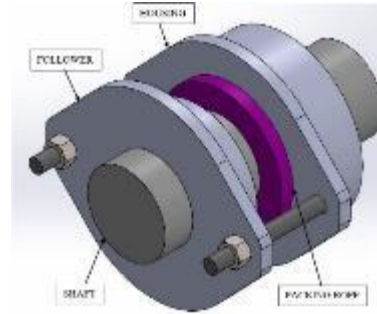
LIP & PACKING SEALS (WATCH A VIDEO)

Advantages

- Low-cost alternative
- Have been around for a long time

Disadvantages

- Unable to handle shaft run-outs
- Do not rotate with the shaft
- Allow product leakage
- Facilitate product loss
- Expensive to maintain
- Cause shaft damage
- Enable bearing failure
- Difficult to hygienically clean
- Require long installation
- Product contamination and recall risk





The Next Generation of Shaft Sealing

CINCHSEAL VALUE PROPOSITION

Reduce Waste

- Stop process equipment from leaking valuable product
- Generate savings on material loss and clean-up costs

Lower Maintenance

- Designed to handle up to ¼" [6.35mm] shaft run-out without losing a seal on the shaft
- Protect gearboxes, bearings and shafts from damage

Ease of Installation and Hygienic Cleaning

- No need to remove bearings or drive units and do mechanical adjustments due to innovative split design
- Easily assemble/disassemble for wash-downs between batches

Increase Productivity

- Longer functional life than traditional lip or packing seals
- Avoid unplanned production downtime

Risk Management

- Prevent product recalls, cross-contamination, and foreign material migration
- USDA- and FDA-certified sealing products



The Next Generation of Shaft Sealing

FEATURES & BENEFITS

CinchSeal's Clean-In-Place (known as CIP) seals are run-out tolerant rotary shaft seals that make the need for processing equipment replacement far less likely as they solve problems associated with traditional lip seals and mechanical packing.

One-year ROI of up to 10x – 35x

Features

Rotating Drive Elastomer and Rotors Design

Tolerance for up to 0.250" [6.35mm] Shaft Dynamic Run-out

Self-Adjusting, Abrasion-Resistant Sealing

All C.E.M.A. Standard and Metric Sizes

Innovative Split CIP Design

FDA-Certified Rebuild Kits

Custom-Tailored to Any Machinery

Available USDA-Certified Models for Dairy, Meat, and Poultry Applications

Benefits

Protects bearings, gearboxes, and shafts from damage

Prevents cross-contamination, foreign material migration, product leakage and recalls

Eliminates unscheduled downtime, maintenance, and lost productivity

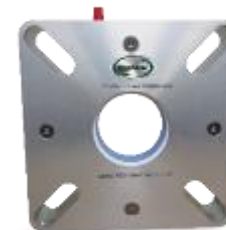
Designed for C.E.M.A. standard and metric screw conveyor and bulk-handling equipment

- Requires no removal of bearings or drive units
- Allows for hygienic cleaning between batches
- Enables easy installation and maintenance

Reduces the total cost of ownership, replacing soft internal components, without compromising the seal

With custom drawings, perfectly fits on any standard or non-standard new and existing equipment

Provides a hygienic sealing solution for highly regulated industries





The Next Generation of Shaft Sealing

MEAT & POULTRY EQUIPMENT

- Bucket Elevators
- Drive End Gear Reducers
- Extruders
- Mixers and Blenders
- Ribbon Blenders
- Rotary Air Valves
- Paddle Mixers
- Screw Conveyors
- Weight & Measure





The Next Generation of Shaft Sealing

OUR MEAT & POULTRY CUSTOMERS

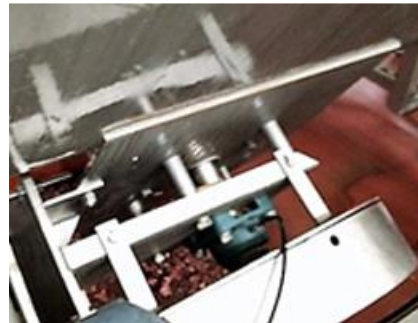
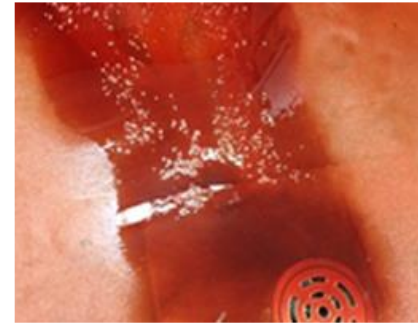
- Beyond Meat
- Cargill
- Conagra Foods
- Dietz & Watson
- Foster Farms
- Hormel Foods
- JBS
- Koch Foods
- Kraft Foods
- Land O' Frost
- Perdue





The Next Generation of Shaft Sealing

LEAKING MEAT & POULTRY

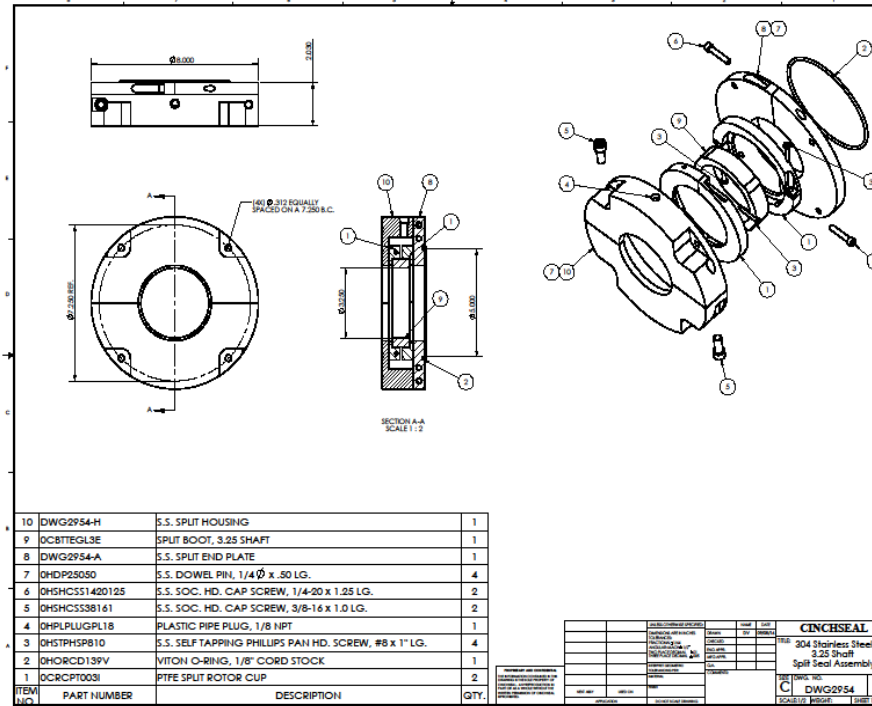




The Next Generation of Shaft Sealing

MEAT & POULTRY CERTIFICATE

- USDA certified for Meat and Poultry processing applications
- This Clean-In-Place split design enables fast installation - no removal of bearings or drive units and hygienic wash-downs between batches
- Result - eliminates product batch cross-contamination and product recalls





The Next Generation of Shaft Sealing

APPLICATIONS

	<ul style="list-style-type: none">• TiO2• Salt/Sugar• Plastics• Variety of Powders	<p>Rotary Air Lock Seal</p> 		<ul style="list-style-type: none">• Cement and Gypsum• Metal Powders• Grain and Ethanol• Sugar• Mining	<p>7550</p> 
	<ul style="list-style-type: none">• Bakery• Bread• Cookies• Crackers	<p>9700</p> 		<ul style="list-style-type: none">• Lime• Chemical Processing• Salt• Spices• Rendering	<p>7800</p> 
	<ul style="list-style-type: none">• Meat Processing• Poultry• Meat Rendering	<p>9100</p> 		<ul style="list-style-type: none">• Food Processing• Spices & Flavorings• Cheese & Dairy• Pet Foods• Chemical Processing• Chocolate	<p>9700</p> 

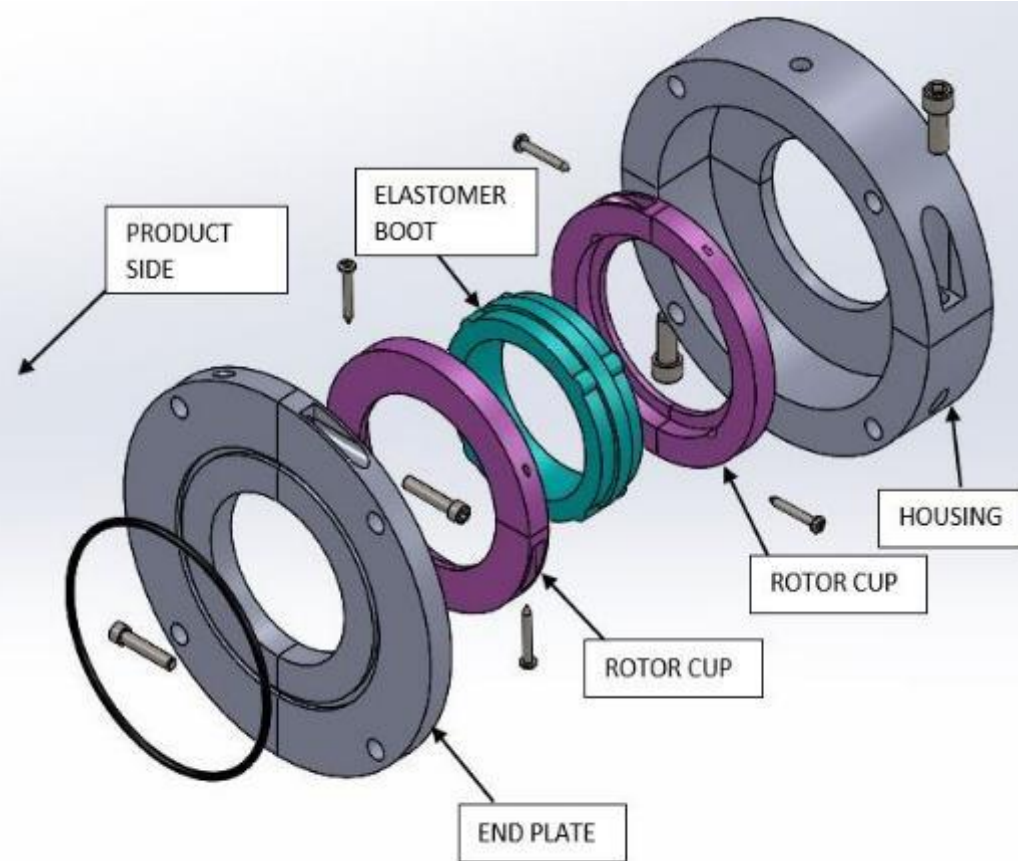


The Next Generation of Shaft Sealing

CINCHSEAL ASSEMBLY

5 PARTS:

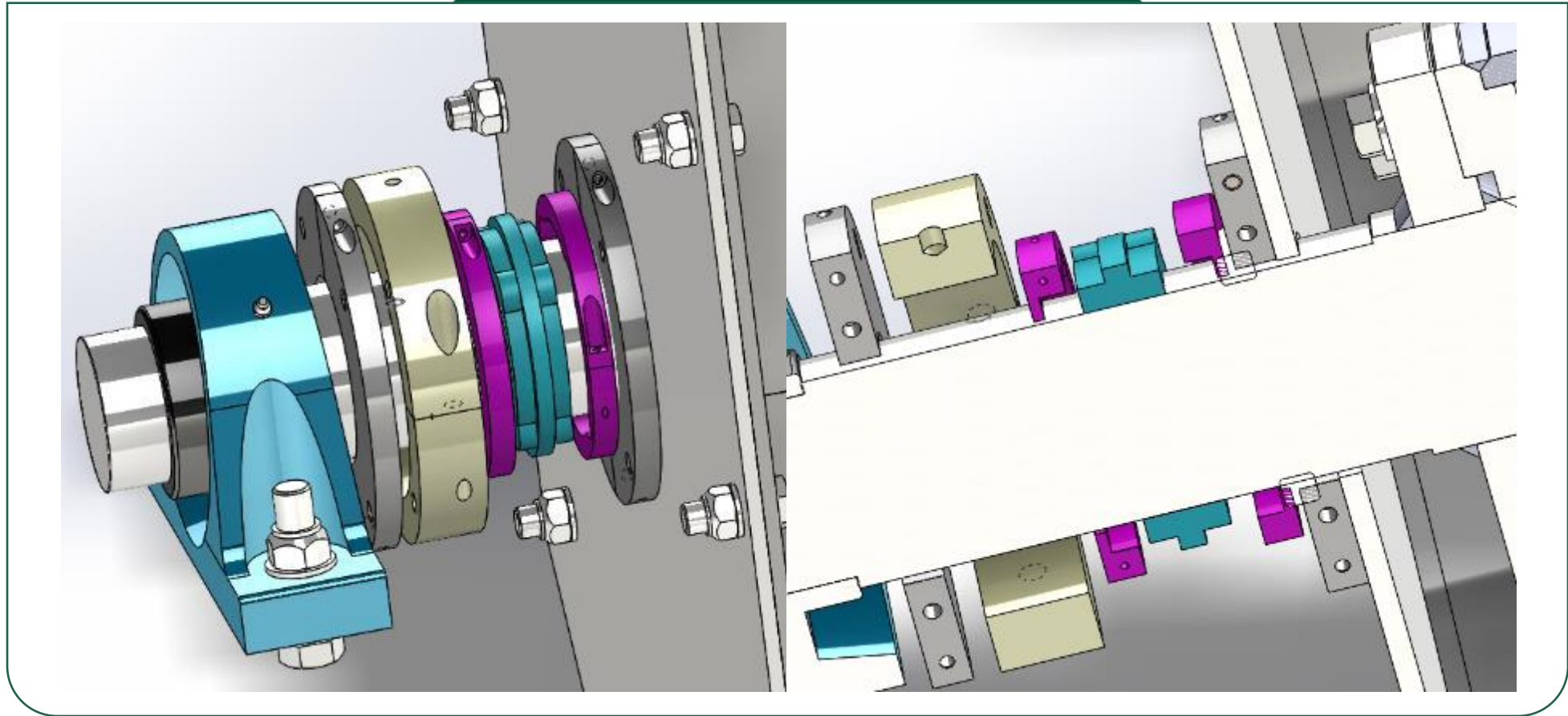
- Metal End Plate
- Metal Housing
- Elastomer Boot
- 2 PTFE Rotor Cups





The Next Generation of Shaft Sealing

CINCHSEAL ASSEMBLY

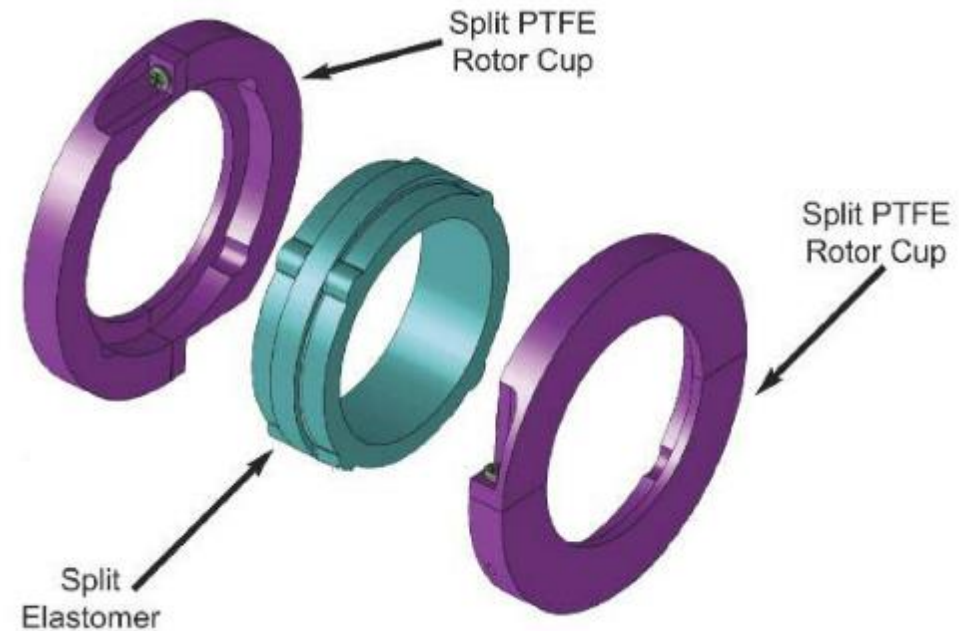




The Next Generation of Shaft Sealing

1). SILICON ELASTOMER

- The elastomer boot grips and seals the shaft without damaging or wearing the shaft. It drives the wearable PTFE seal faces
- The silicone elastomer can withstand temperatures up to 425 degrees °F
- The standard elastomer is made from a "FDA-approved" silicone that handles 95% of industrial applications in the field
- The elastomer material can also be made from VITON, AFLAS and EPDM for harsher chemicals





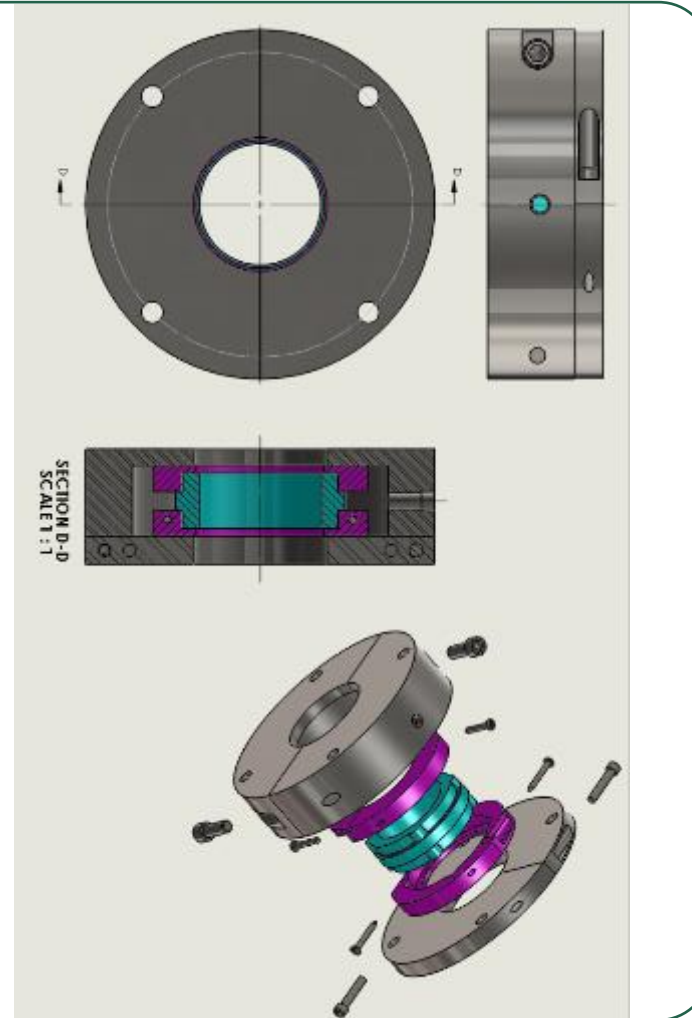
The Next Generation of Shaft Sealing

2). PTFE ROTOR CUPS

- The PTFE stators and rotor cups are made from a mineral-filled PTFE
- Depending on the shaft rotating speeds, the PTFE can be blended with certain minerals to reduce the coefficient of friction at the PTFE-metal interface
- The rotor cups are also FDA approved for indirect food contact and can be USDA certified for sealing in meat, poultry, and dairy

3). METAL PARTS

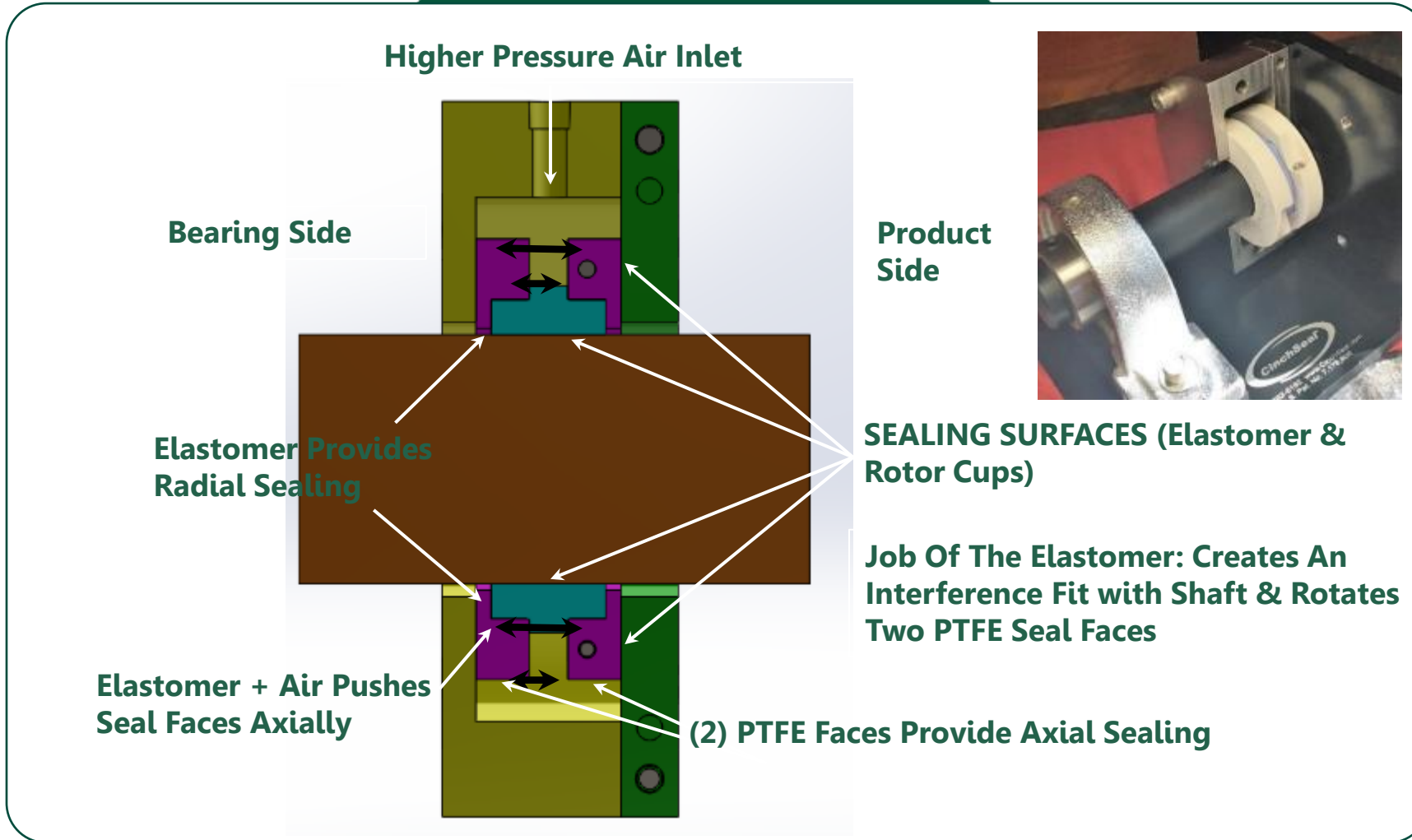
- Seal housings and end plates are available in aluminum, polypropylene, and 304ss or 316ss, depending on application requirements





The Next Generation of Shaft Sealing

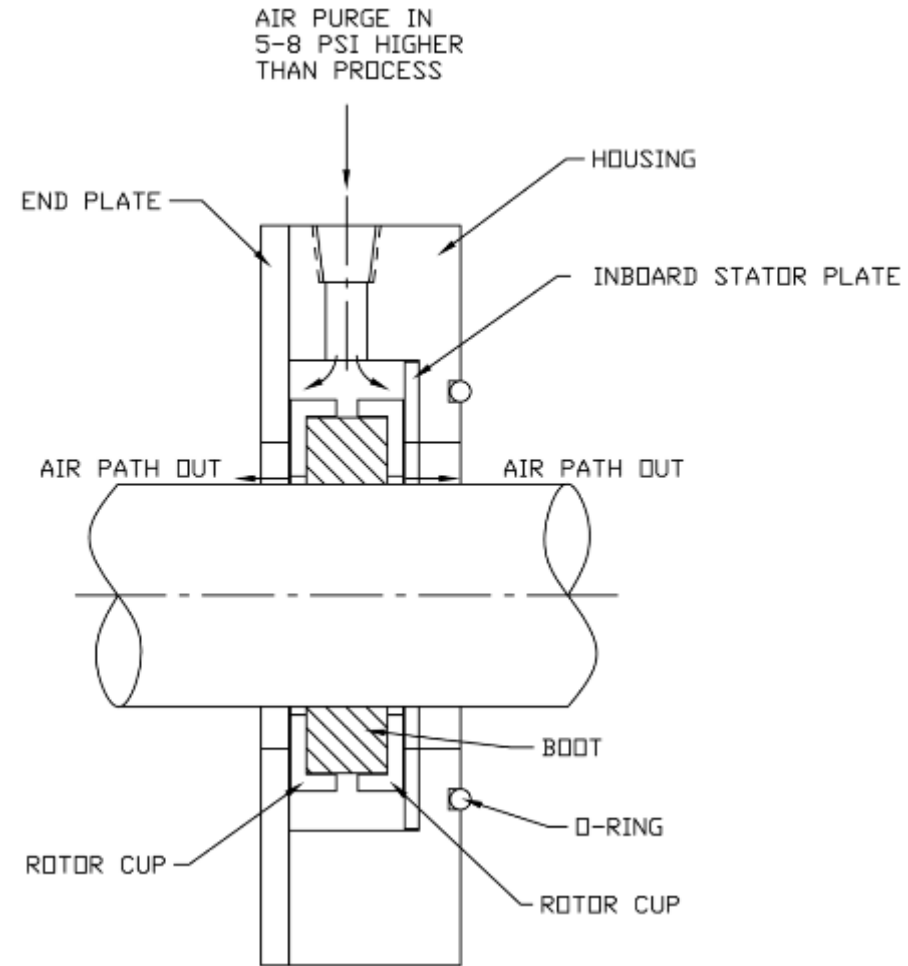
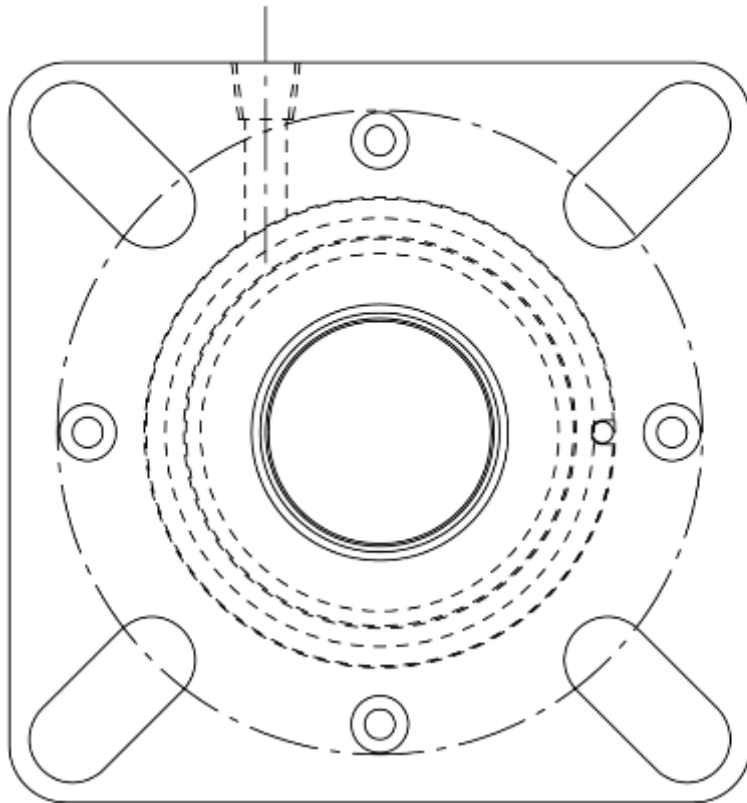
SEAL CROSS-SECTION





The Next Generation of Shaft Sealing

AIR PURGING





The Next Generation of Shaft Sealing

WHY WE AIR PURGE THE SEALS



Creates a higher pressure in the seal chamber to form a natural air barrier that keeps product out of the seal



Develops a force that pushes the rotating faces outward against the stationary faces and creates a tighter seal



Cools the rotating seal faces by reducing temperature caused by friction



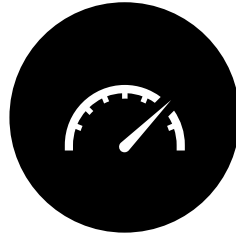


The Next Generation of Shaft Sealing

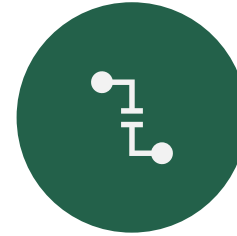
SPECIFICATIONS



Silicon And PTFE Internal Parts Are Good Up To 425 °F - Higher Temperature Applications Are Possible



- Up To 28" Of Vacuum
- Up To 45 Psi Operating Pressure
- Purge Seal With 5 To 7 Psi Of Air Above Operating Vessel Pressure For Optimum Performance



Typical Flow Rate Is Less Than 1 CFM With Air Regulator Set At 5 Psi



Maximum Surface Speed - Approximately 270 Ft/Min (5" Shaft @ 200 Rpm, Some Applications Run Up To 400 Rpm)



The Next Generation of Shaft Sealing

HOW TO INSTALL THE SEAL VIDEO





The Next Generation of Shaft Sealing

WHY SWITCH TO CINCHSEAL – WATCH A VIDEO



Cost Savings: Eliminates product waste, unscheduled maintenance costs and downtime, premature bearing failure, shaft damage, and reduces energy consumption



No Damage to Shafts: CinchSeal's unique design protects rotating shafts from being scored or damaged



Run-out: Can handle up to ¼" [6.35mm] shaft run-out without losing a seal on a shaft



Health and Safety: Prevents powder and dust leakages that can cause hazardous work environments and explosions



Clean-In-Place Design: Allows for hygienic clean-up between product batches



Proven ROI: One-year ROI of up to 10x – 35x