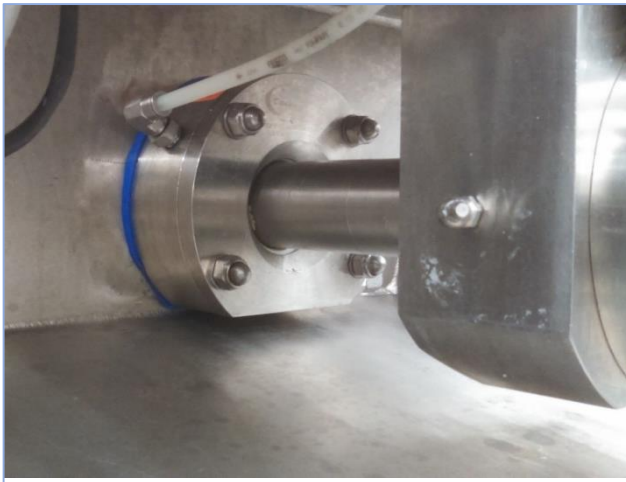


23B Roland Ave
Mt. Laurel, N J 08054
856-662-5162
www.cinchseal.com

Welcome and thank you for your valuable time.

- Established in 1995
- Manufacturers of rotary shaft seals
- Industries of focus: Food, Chemical, & Material Handling
- Located in Mount Laurel, NJ

Cinchseal is a unique and problem-solving sealing device that is designed to seal powders and slurries on process equipment. It is an effective shaft seal that reduces product loss, eliminates housekeeping issues, and prevents bearing and equipment failure and downtime which is important in today's demanding processing plants.





CinchSeal

731 Hylton Road • Pennsauken, NJ 08110
856-662-5162 • 856-662-5264(fax)
www.cinchseal.com



- Cement and Gypsum
- Metal Powders
- Grain and Ethanol
- Sugar
- Mining

7550



- Lime
- Chemical Processing
- Salt
- Spices
- Rendering

7800



- Food Processing
- Spices & Flavorings
- Cheese & Dairy
- Pet Foods
- Chemical Processing
- Chocolate

9700



- TIO2
- Salt/Sugar
- Plastics
- Variety of Powders

Rotary Air Lock Seal



- Bakery
- Bread
- Cookies
- Crackers

9700



- Meat Processing
- Poultry
- Meat Rendering

9100



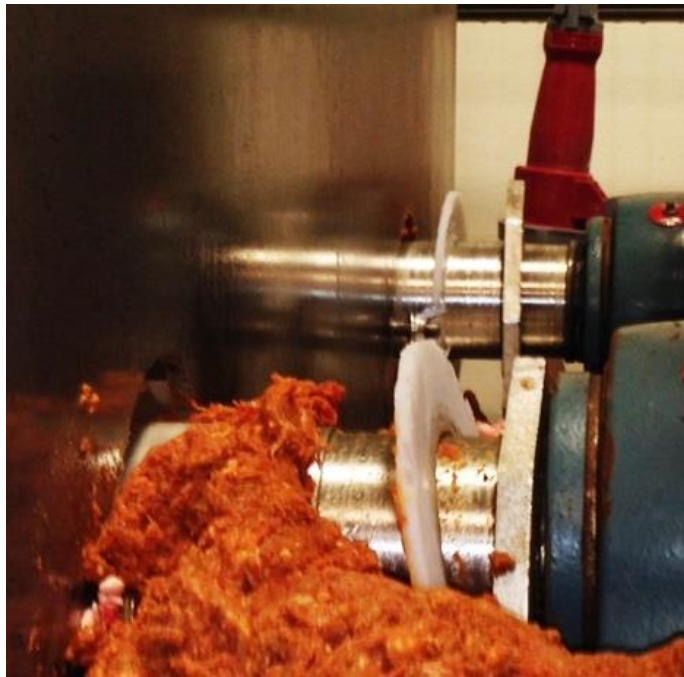
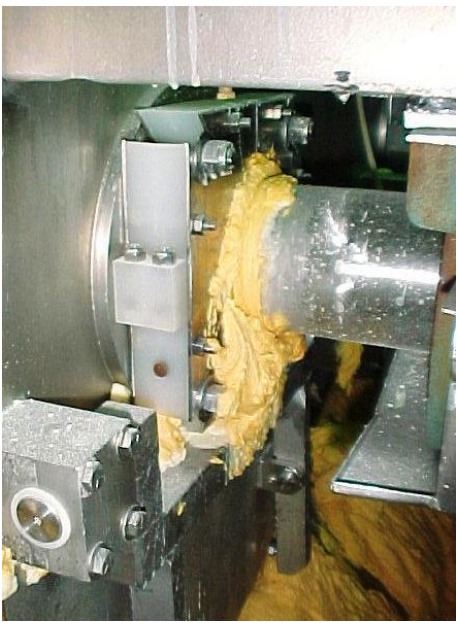
Benefits of CinchSeal

- **Cost savings**: Generally captured by eliminating product loss, recalls, unscheduled maintenance costs, down time, and premature bearing failure.
- **No damage to shafts**: Due to CinchSeal's unique design, rotating shafts can not be scored or damaged
- **Runout**: Can handle up to ¼” total shaft runout without losing the seal on the shaft
- **Sanitation**: CinchSeals improve overall sanitation and reduce costly recalls. CinchSeal has metal-detectability and X-Ray detection capabilities (available upon special request)
- **Repairable**: Designed to accommodate Repair/Rebuild Kits

CinchSeal – Typical Applications at Poultry and Beef Processing Facilities

- **Purge loss – Incline screw conveyors**
 - Bearing Failure
 - Wastewater – eliminate purge in floor drains
 - Eliminate damage to floors/drain systems
 - Purge Loss – Industry typically values @ \$3.00/lb
- Closed-Top Marination Blenders
 - Downtime virtually eliminated
 - Foreign material migration eliminated (recalls)
- Meat Blenders/Grinders
 - Replace lip seals which leak and damage shafts
- **Vacuum Tumblers**
 - Worry free, self-adjusting seal – handles runout which O-rings cannot
 - O-Ring elimination (recall due to foreign material eliminated)

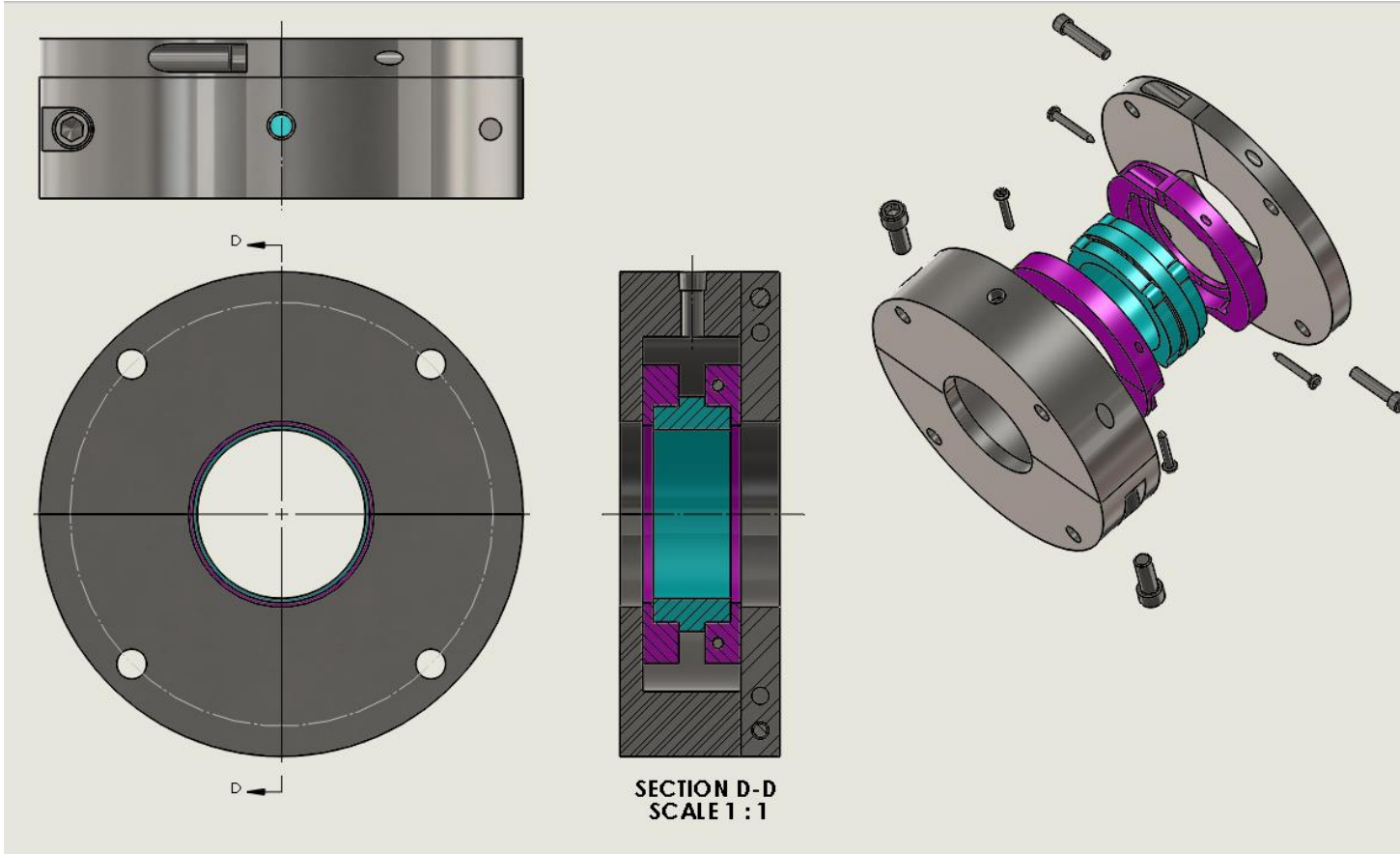




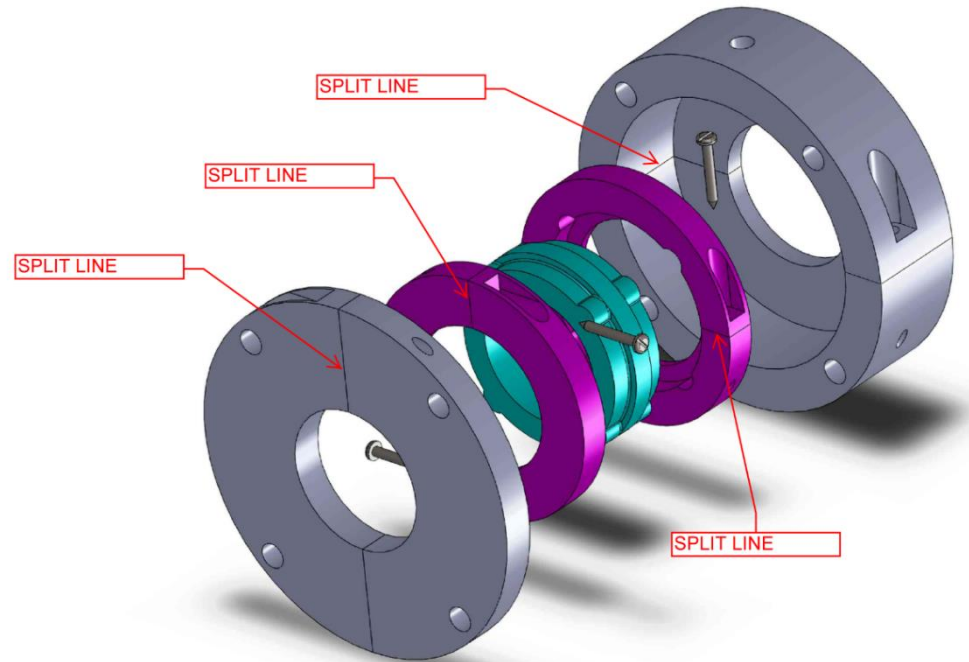
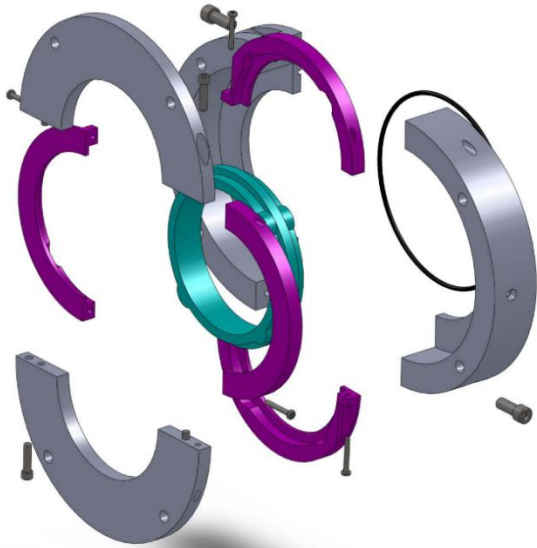
Purge Loss Application



SPLIT SEAL ASSEMBLY



Split Seals



CROSSSECTION OF SEAL

HIGHER PRESSURE
AIR INLET

BEARING SIDE

PRODUCT SIDE

ELASTOMER PROVIDES
RADIAL SEALING

SEALING
SURFACES

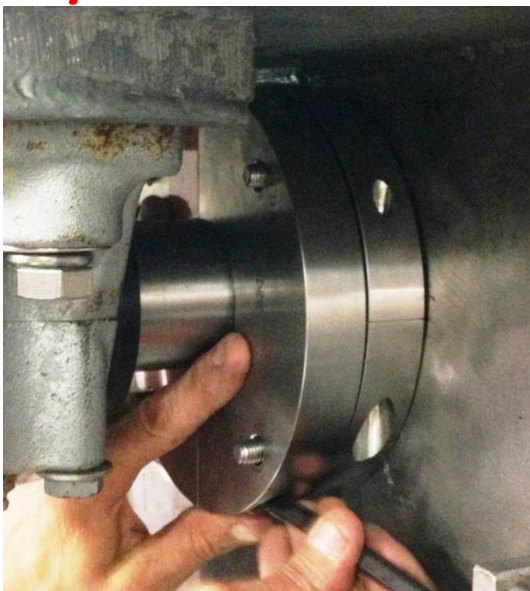
ELASTOMER+ AIR
SEAL FACES AXIALLY

(2) PTFE FACES PROVIDE
AXIAL SEALING



JOB OF ELASTOMER: CREATES
INTERFERENCE FIT WITH SHAFT &
ROTATES THE TWO PTFE SEAL FAC

Typical CinchSeal Assembly



Leaking blood from Incline Purge Loader



Typical inferior seal



CinchSeal application focus: FPEC Vacuum Tumbler



Equipment Overview – FPEC

Tumbler:

- Glycol tumblers combine the proven success of FPEC's vacuum tumble marination with a jacket filled with glycol for cooling of the meat. This tumbler is ideal for processing plants without access to CO2. Glycol tumblers are also efficient for large piece whole muscle meat processing.
- 250 lb. to 14,000 lb. capacity
- All 304 stainless heavy-duty construction with heavy-duty drum and stand designed for easy daily cleanup and long years of service in wash down environments
 - Wash down duty vacuum pump on separate cart for maximum vacuum to load product and for provide vacuum for marination pick up
 - Vacuum shaft loading available for quick automated loading of tumbler in a closed foreign material free environment
 - Glycol tumblers load thru front door
 - X-ray detectable gasket material is available

Converting to Split Cinchseal

2 studs need to be removed



2 studs are cut off

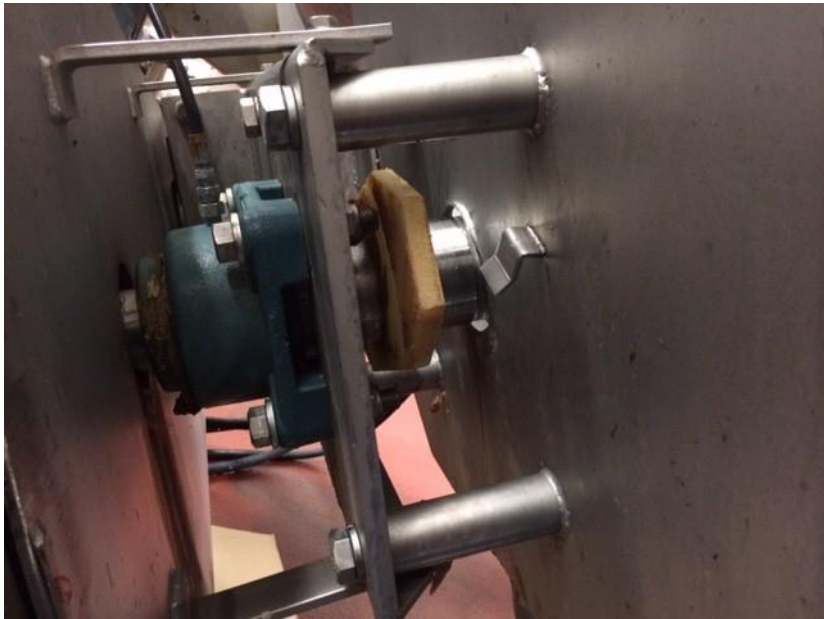


4 new studs are welded



Cinchseal conversions:

Before

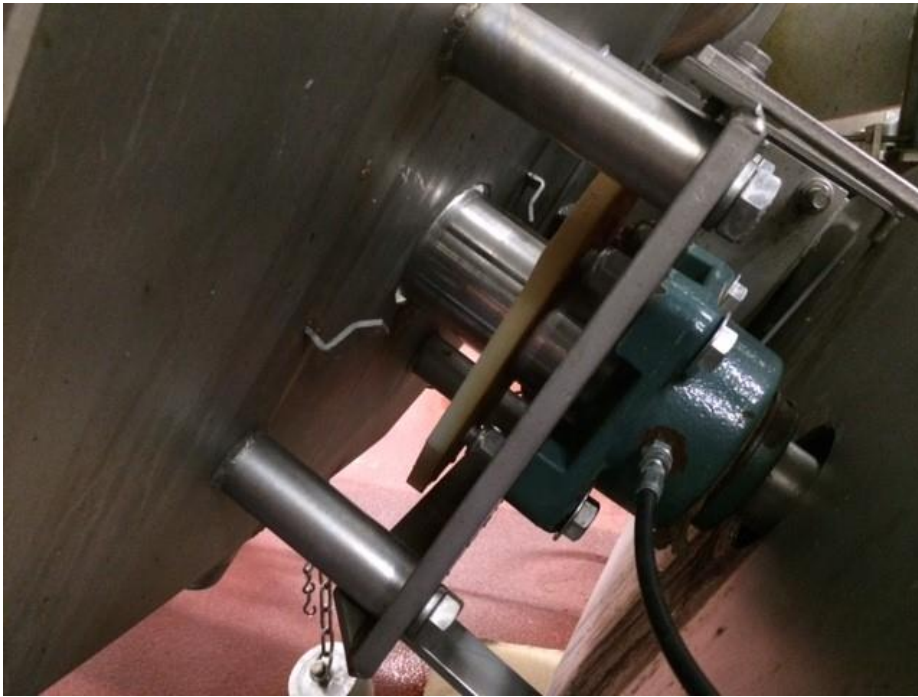


After



(Different angle)

Before



After



In Conclusion:

CinchSeal believes in putting out a quality product and standing behind it. We offer excellent customer service in the field and provide expert advice and corrective action.

Contact Information:

Mark Pitchko, Executive VP

mpitchko@cinchseal.com

OFFICE: (856-662-5162)

Saji Pillai, Engineering manager

spillai@cinchseal.com

OFFICE: (856-662-5162)

Andy Wood, VP – Business Development awood@cinchseal.com

Cell: (770) 480-0446

CinchSeal

23B Roland Ave
Mount Laurel, NJ 08054
856-662-5162

www.cinchseal.com

